

Since 1968

COMMAX
SmartHome & Security

User Manual

Color Door Camera DRC-4Y



www.commax.com

COMMAX Co.,Ltd.



- Thank you for purchasing COMMAX products.
- Please carefully read this User's Guide (in particular, precautions for safety) before using a product and follow instructions to use a product exactly.
- The company is not responsible for any safety accidents caused by abnormal operation of the product.



Contents

1. Introduction	2
2. Cautions	3
3. Overview	4
4. Installation.....	5
5. Package contents	6
6. Specification	7



1. Introduction

The model number is located on the bottom. Please record the serial number in the space provided below. Refer to these numbers whenever you call upon your COMMAX dealer regarding this product.

Model No.

Serial No.

To prevent fire or shock hazard, do not expose the unit to rain or moisture.



This symbol is intended to alert the use of uninsulated “**dangerous Voltage**” within the product that may cause the insufficient magnitude to constitute a risk of electric shock to persons.



This symbol is intended to alert the use to the presence of important operating and maintenance(servicing) instructions in the literature accompanying the appliance.



caution

Risk of electric shock
do not open



CAUTION: To reduce the risk of electric shock, do not remove cover (or back cover) no user-serviceable part inside. Refer service to the service personnel



2. Cautions

- ▲ Do not install it to extremely hot or cold places.



If used at a place where the temperature is higher than 40 °C or lower than -10 °C, it may cause deterioration of image quality or failure.

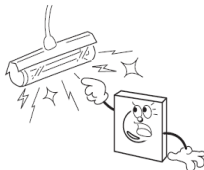
Pay attention to the ventilation, especially when installing in a hot place.

- ▲ Do not install it under humid environment.



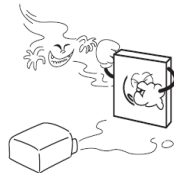
Installing in a humid place will cause deterioration of the lens and cause low quality image.

- ▲ Do not install it to the flickering place.



Malfunctions may occur in high illumination changing areas, such as unstably flickering lightings.

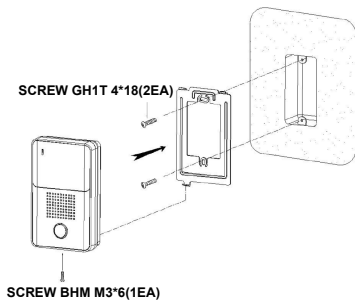
- ▲ Do not install it to the place where it will be exposed to oil and gas.



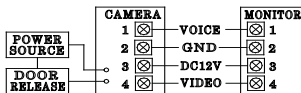
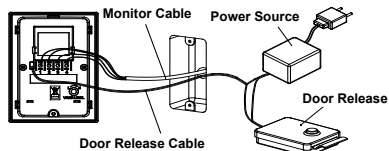
Malfunctions may occur when oil or gas permeate to the products.



4. Installation



[FIG-1]



[FIG-2]

1. Fix a bracket on a wall with screws
2. Connect wire #1, 2, 3, 4 on the back side of a door camera with a monitor as shown in [FIG-2] (#1 : VOICE, #2 : GND, #3 : DC12V, #4 : VIDEO)
3. Put a door camera unit into a wall bracket
4. Wire door release connection terminal as shown in [FIG-2]
5. Tighten a screw at the bottom side of a door camera. [FIG-1]



6. Specification

Model No.	DRC-4Y				
Rated Voltage	12V = (Supplied from monitor)				
Wiring	4 wires (polarity) to a monitor				
	2 wires (non-polarity) to a electric door lock				
Video Transmission Standard	NTSC or PAL STANDARD.				
Sensor Type	C-MOS(COLOR / 0.52 megapixel)				
Transmission	Full Duplex				
Minimum Illumination	0.1 Lux (within 300mm)				
LED	Embedded LED (night working)				
Effective Viewing Angle	98°				
Operating Temperature	-10°C (tested up to -40°C) ~ +40°C				
Weight (g)	186g				
Dimension (mm)	92(W) x 150(H) x 35(D)				
Installation between a Door camera and a monitor(TIV Cable)	Diameter(pie)	Ø0.5	Ø0.65	Ø0.8	Ø1
	Distance(meter)	28m	50m	70m	115m



Memo

COMMAX

COMMAX Co.,Ltd.

513-11, Sangdaewon-dong, Jungwon-gu, Seongnam-si, Gyeonggi-do, Korea
Int'l Business Dept. : Tel.; +82-31-7393-540~550 Fax.; +82-31-745-2133
Web site : www.commax.com

Printed In Korea / 2019.04.105